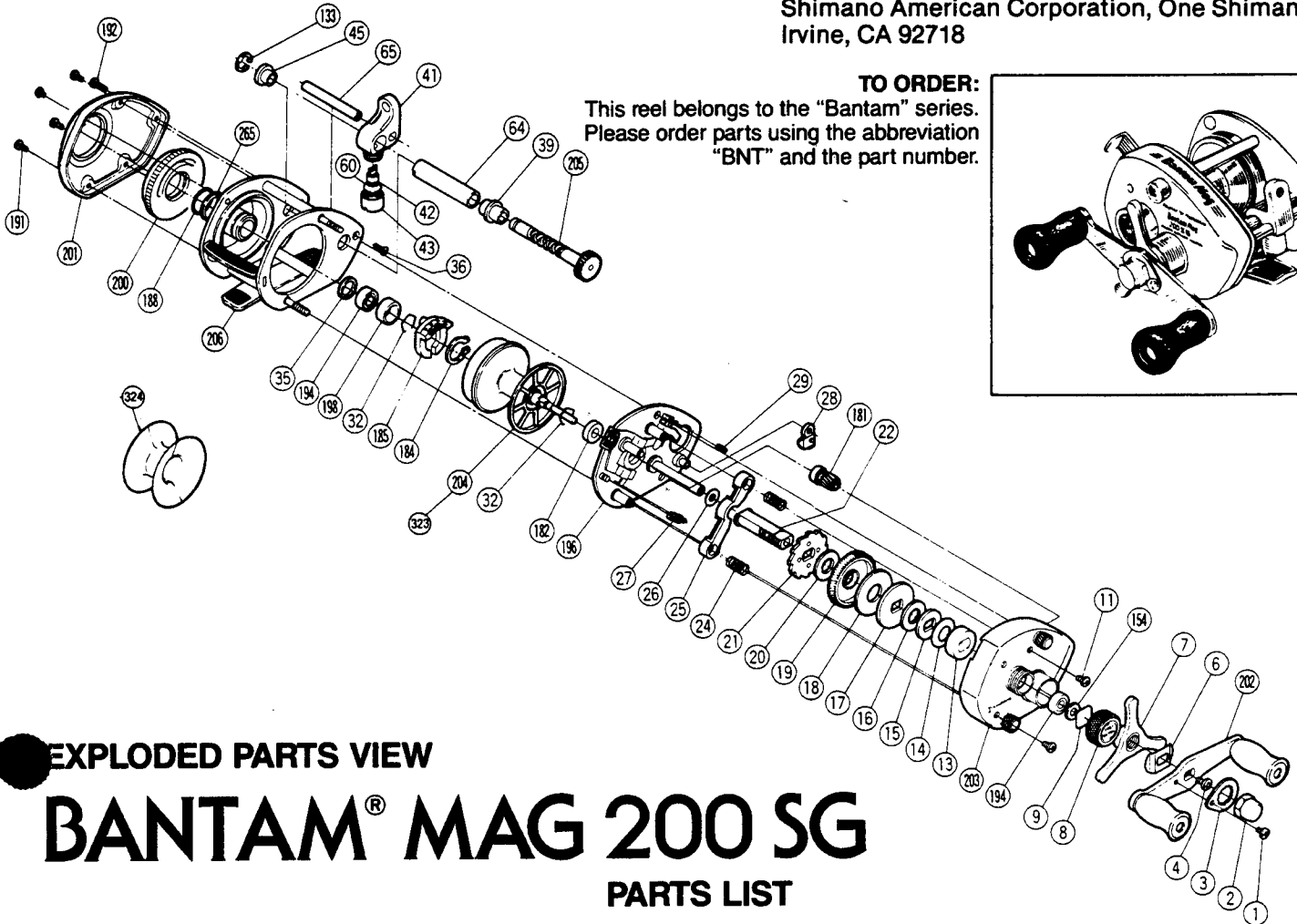
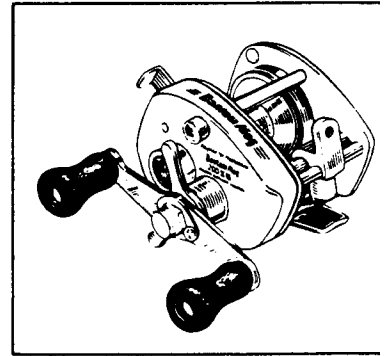


SHIMANO

1987 REPAIR MANUAL

Shimano American Corporation, One Shimano I
Irvine, CA 92718

TO ORDER:
This reel belongs to the "Bantam" series.
Please order parts using the abbreviation
"BNT" and the part number.



EXPLODED PARTS VIEW

BANTAM® MAG 200 SG

PARTS LIST

| PART # | DESCRIPTION | PART # | DESCRIPTION | PART # | DESCRIPTION |
|--------|----------------------------|--------|----------------------------|--------|---------------------------|
| 1. | Handle Nut Lock Screw | 24. | Pinion Yoke Spring | 182. | Spool Shaft Bushing |
| 2. | Handle Nut | 25. | Pinion Yoke | 184. | Magnet Retainer Lock |
| 3. | Handle Nut Lock Plate | 26. | Drive Shaft Shim | 185. | Magnet Retainer Lock |
| 4. | Drive Shaft Retainer Screw | 27. | Retractor Spring #1 | 188. | O Ring |
| 6. | Friction Washer | 28. | Anti Reverse Dog | 191. | Left Side Plate Screw |
| 7. | Drag Tri-Star | 29. | Retractor Spring #2 | 192. | Left Stabilizer Bar Screw |
| 8. | Cast Control Cap | 32. | Bearing Lock | 194. | Spool Shaft Bearing |
| 9. | Cast Control Spacer | 35. | Left Bearing Spacer | 196. | Set Plate |
| 11. | Side Plate Screw | 36. | Stabilizer Bar Screw | 198. | Bearing Spacer |
| 13. | Drive Shaft Bearing | 39. | Level Wind Bearing (Right) | 200. | Magnetic Control Dial |
| 14. | Drag Spring Washer | 41. | Line Guide | 201. | Left Side Plate |
| 15. | "D" Washer | 42. | Level Wind Pawl | 202. | Handle |
| 16. | Drag Spacer | 43. | Pawl Cap | 203. | Right Side Plate |
| 17. | Pressure Plate | 45. | Level Wind Bearing (Left) | 204. | Spool (Old Type) |
| 18. | Drag Washer | 60. | Pawl Shim (Optional) | 205. | Level Wind Gear |
| 19. | Drive Gear | 64. | Level Wind Guard | 206. | Frame |
| 20. | Base Drag Washer | 65. | Line Guide Stabilizer Bar | 265. | Thrust Washer |
| 21. | Anti Reverse Ratchet | 133. | Level Wind Gear Lock | 323. | Spool (convertible) |
| 22. | Drive Shaft | 154. | Felt Oil Retainer | 324. | V-Spool Converter* |
| | | 181. | Pinion Gear | | |

Prices and specifications subject to change without notice.